

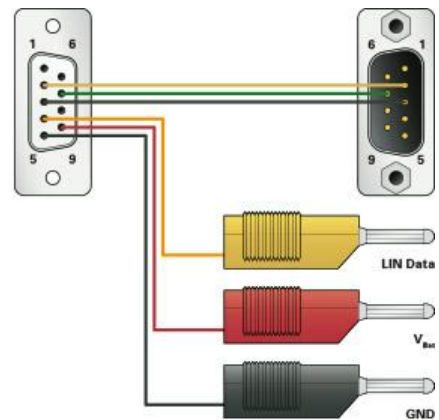


LIN Connection Cable for PC LIN Interface



The PLIN-USB adapter is connected to the LIN bus via D-Sub. On the adapters PCAN-USB Pro FD and PCAN-USB Pro, the two field busses CAN and LIN are connected together via a D-Sub plug. However, a separate access to the LIN components is necessary.

The LIN Connection Cable for PC LIN Interfaces allows the tapping of individual lines. The LIN and the supply lines are lead directly out to separate plugs and the CAN lines are forwarded to a D-Sub plug.



Technical Specifications

- Pre-configured cable set for PCAN-USB Pro FD, PCAN-USB Pro, and PLIN-USB
- Split-up of the lines from the CAN/LIN connector to:
 - CAN (D-Sub plug, 9-pin)
 - LIN (banana plug, 4 mm)
 - Power supply for LIN (banana plugs, 4 mm)
- Length about 0.75 m
- Without terminating resistor
- Suitable for the use in CAN FD busses